

T A N C O   A U T O W R A P

1989

OPERATORS HANDBOOK

AND

SPARE PARTS LIST

TANCO AUTOWRAP 1989

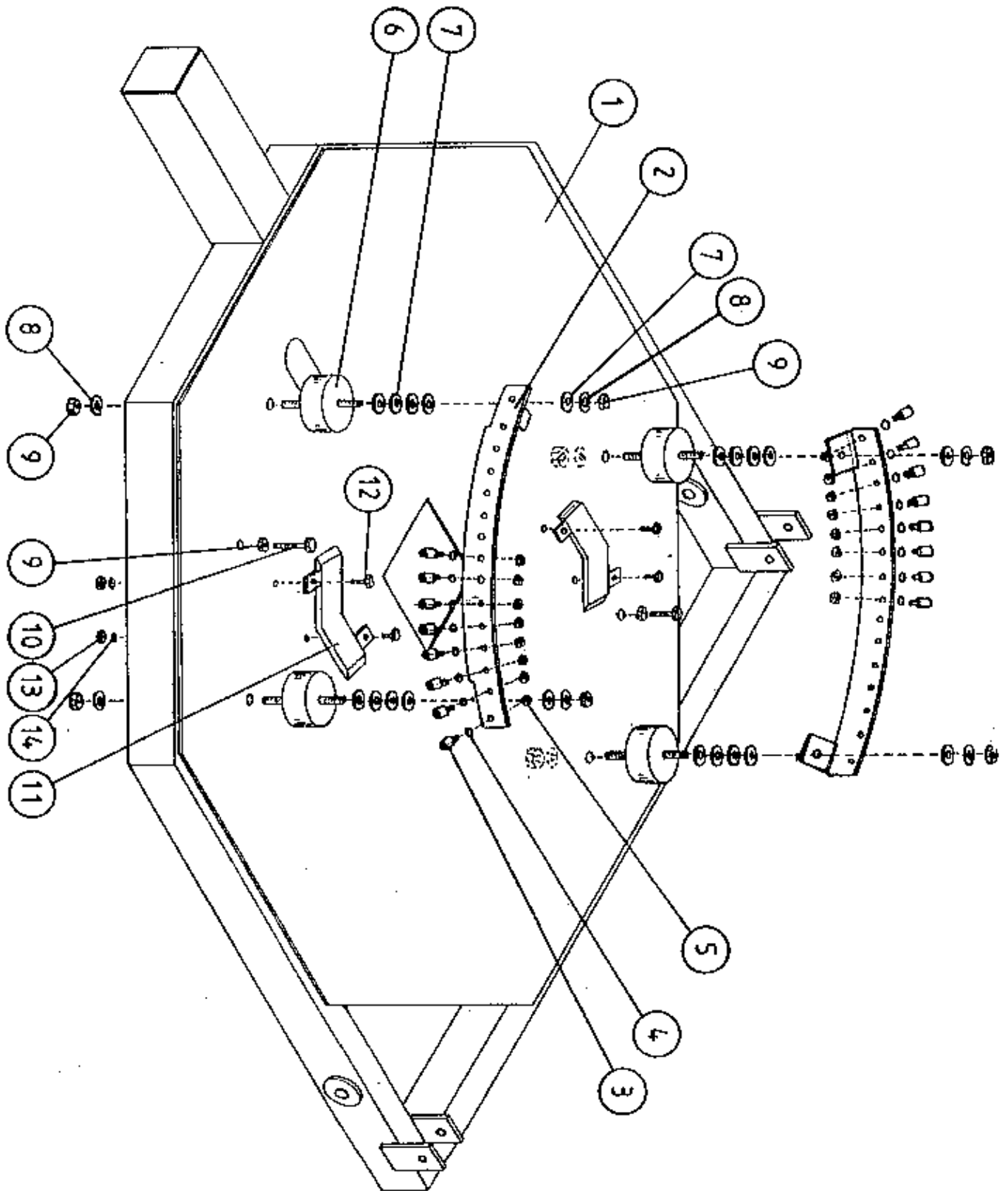
PARTS LIST

QUADRANT MOUNTING ASSEMBLY 50% OVERLAP

<u>ITEM NO.</u>	<u>DESCRIPTION</u>	<u>QTY.</u>	<u>PART NO.</u>	<u>CODE NO.</u>
1.	TIPPING FRAME ASSY.	1	B/R 161 A	
2.	QUADRANT ASSY.	1	B/R 160 A	
3.	3/4" DIA CAM FOLLOWER	16		Z06*42
4.	3/8" DIA SPRING WASHERS	16		Z12*01*66
5.	3/8" UNF HEX NUTS	16		Z20*06
6.	RUBBER BUFFER	4		Z40*22
7.	1.6mm DIA FLAT WASHERS	20		Z10*02*16
8.	1.6mm DIA SPRING WASERS	8		Z12*02*16
9.	M16 HEX NUT	10		Z18*16
10.	M16 HEX HD. SET x 60 LONG	2		Z26S*126
11.	RAMP ASSY	2	B/R 164 A	
12.	M12 HEX HD BOLT x 40mm LONG	4		Z26*084B
13.	M12 HEX NUT	4		Z18*12
14.	12mm DIA SPRING WASHER	4		Z12*02*12

# TANCO AUTOWRAP 1989

## QUADRANT MOUNTING ASSY 50% OVERLAP



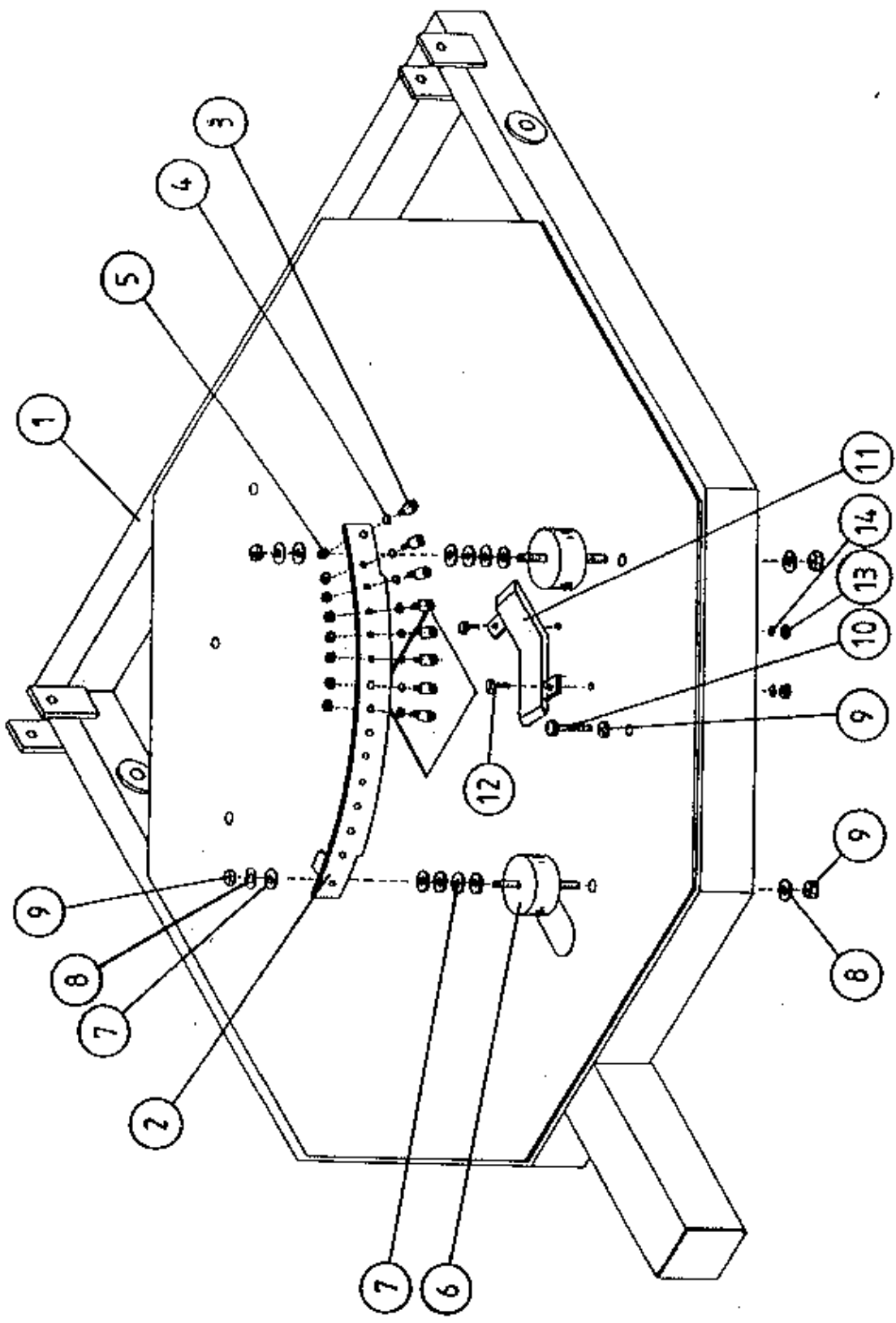
TANCO AUTOWRAP 1989

PARTS LIST

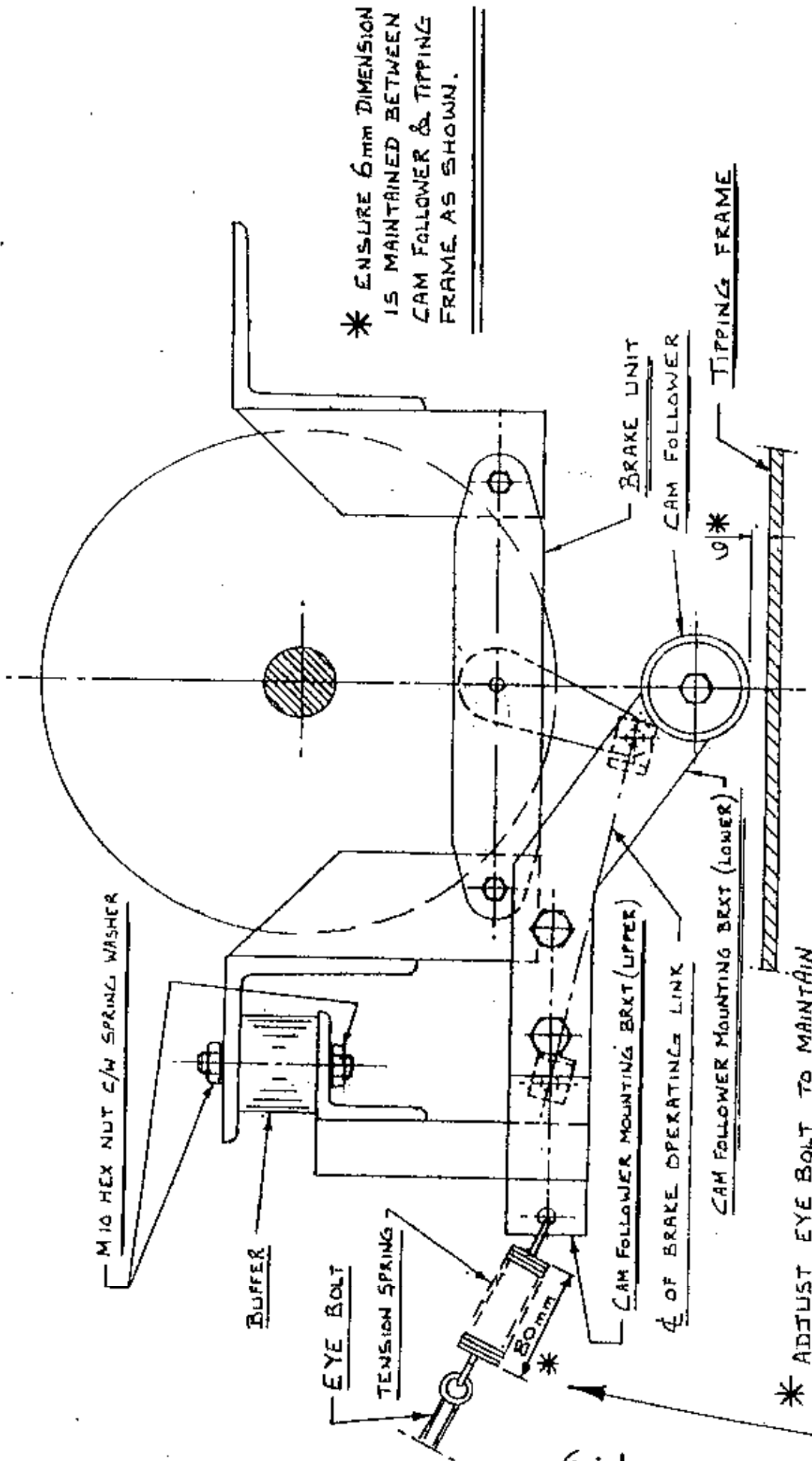
QUADRANT MOUNTING ASSEMBLY 75% OVERLAP

<u>ITEM NO.</u>	<u>DESCRIPTION</u>	<u>QTY.</u>	<u>PART NO.</u>	<u>CODE NO.</u>
1.	TIPPING FRAME ASSY.	1	B/R 101 A	
2.	QUADRANT ASSY.	1	B/R 160 A	
3.	3/4" DIA CAM FOLLOWER	8		Z06=42
4.	3/8" DIA SPRING WASHERS	8		Z12=01=06
5.	3/8" UNF HEX NUTS	8		Z20=06
6.	RUBBER BUFFER	2		Z40=22
7.	16mm DIA FLAT WASHERS	10		Z10=02=16
8.	16mm DIA SPRING WASERS	4		Z12=02=16
9.	M16 HEX NUT	5		Z18=16
10.	M16 HEX HD. SET X 60 LONG	1		Z26S=126
11.	RAMP ASSY	1	B/R 164 A	
12.	M12 HEX HD BOLT x 40mm LONG	2		Z26=084B
13.	M12 HEX NUT	2		Z18=12
14.	12mm DIA SPRING WASHER	2		Z12=02=12

CANCO AUTOWRAF 198C  
QUADRANT MOUNTING ASSY 75% OVERLAP

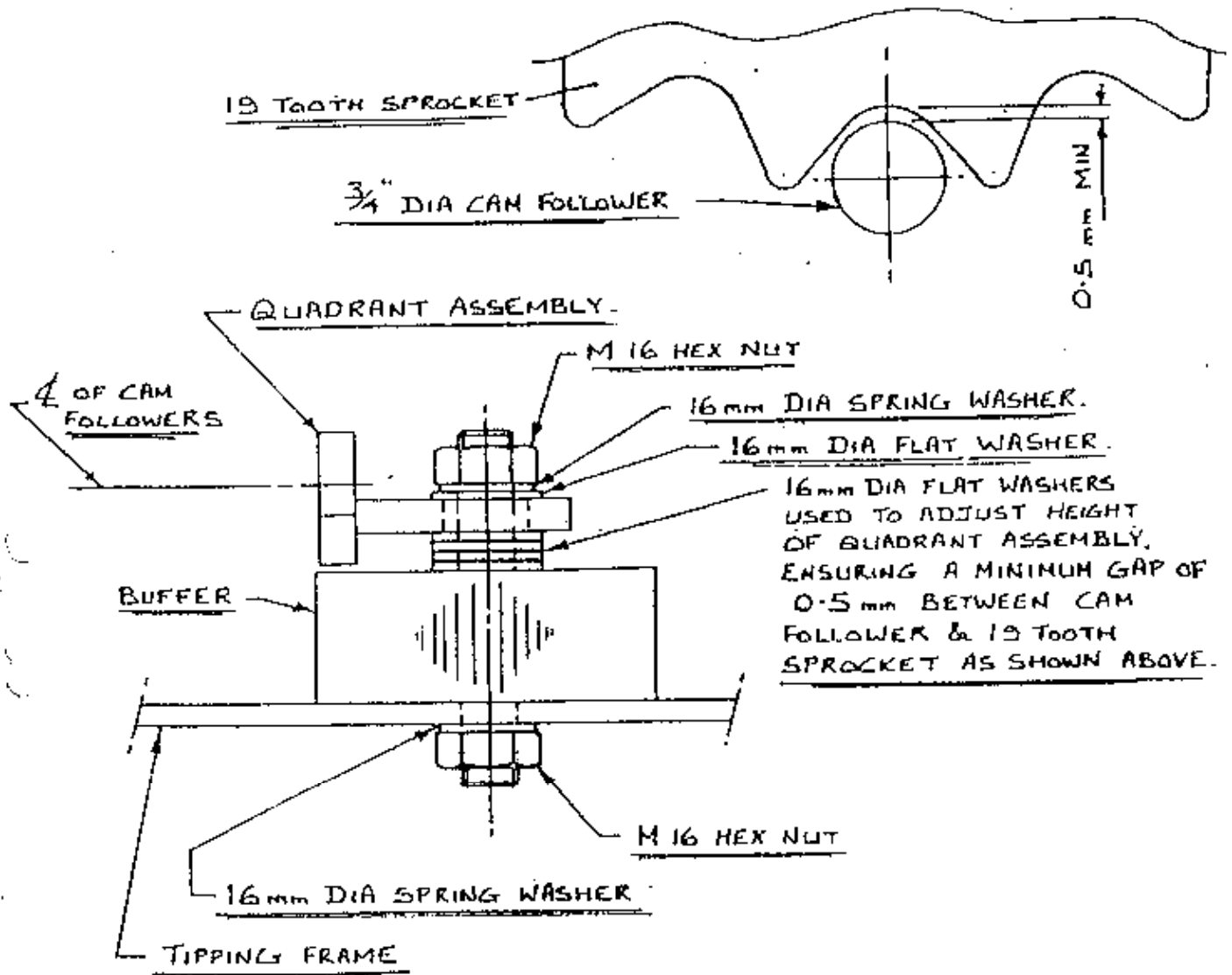


TTCO AUTO WRAP  
INDEX SHAFT. DISC BRAKE ADJUSTMENT

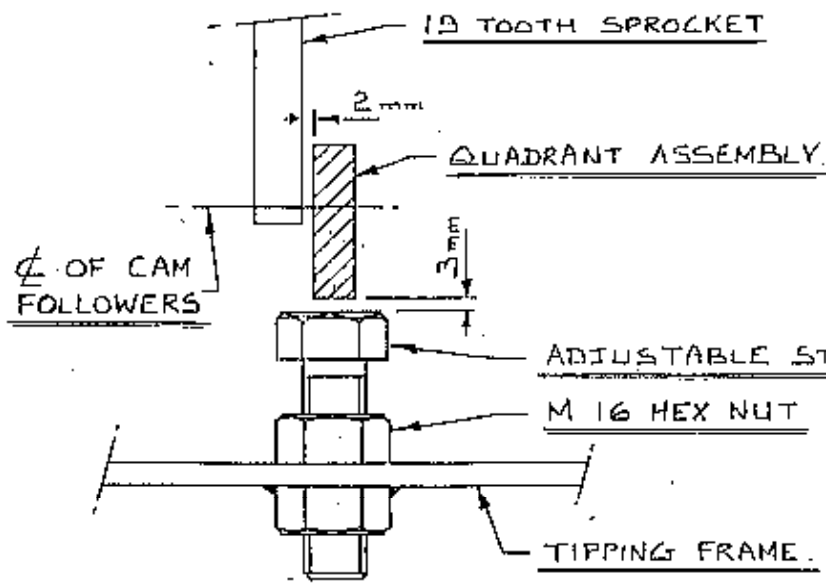


\* ADJUST EYE BOLT TO MAINTAIN  
 50mm DIMENSION AS SHOWN

\* ENSURE 6mm DIMENSION  
 IS MAINTAINED BETWEEN  
 CAM FOLLOWER & TIPPING  
 FRAME AS SHOWN.



TANCO AUTO WRAP.  
INDEX SHAFT. SPROCKET CLEARANCE ADJUSTMENT.



NOTE:  
 ENSURE CLEARANCE BETWEEN QUADRANT AND ADJUSTABLE STOP IS 3 mm AS SHOWN.

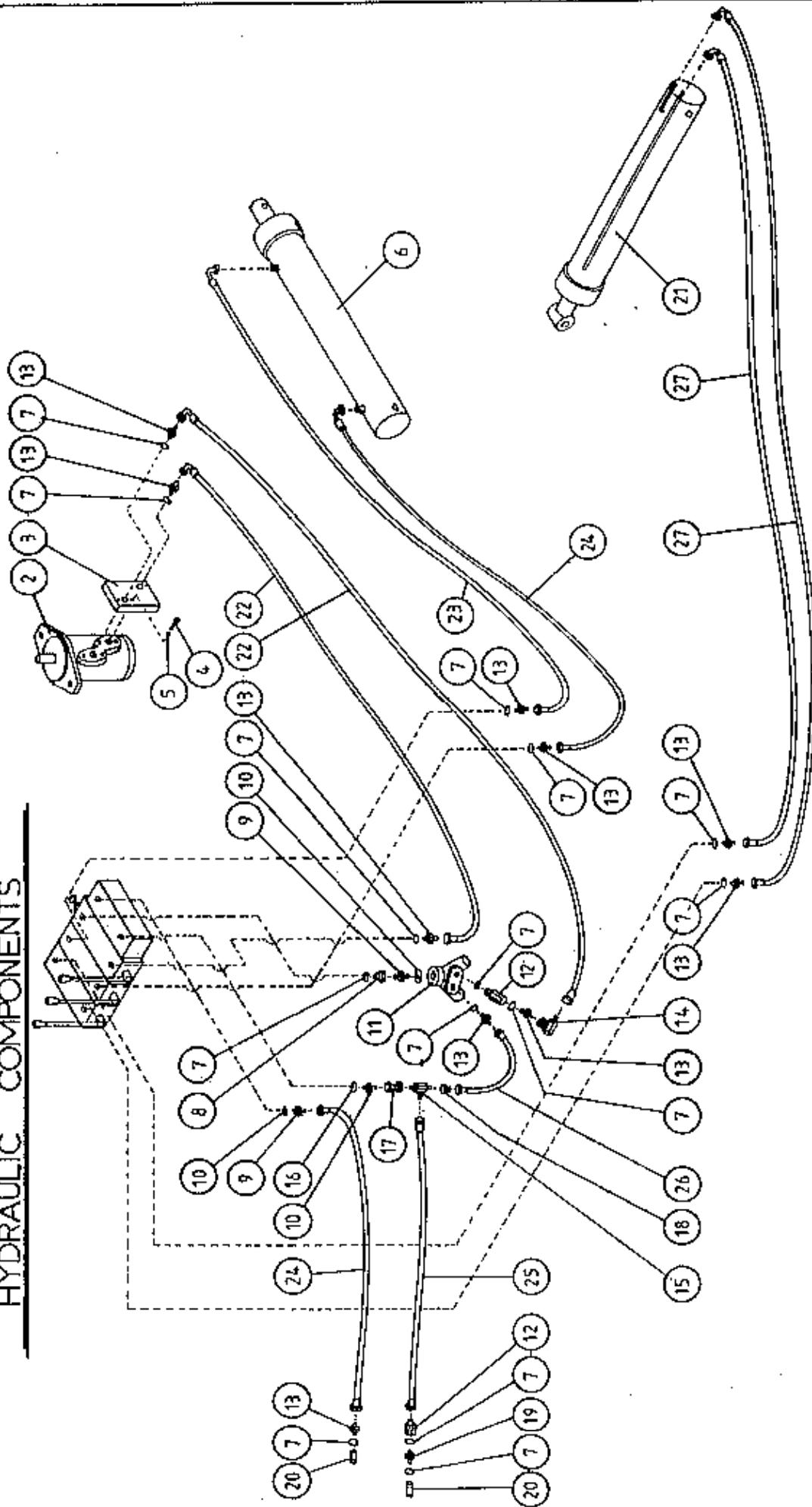
TANCO AUTOWRAP  
HYDRAULIC COMPONENTS

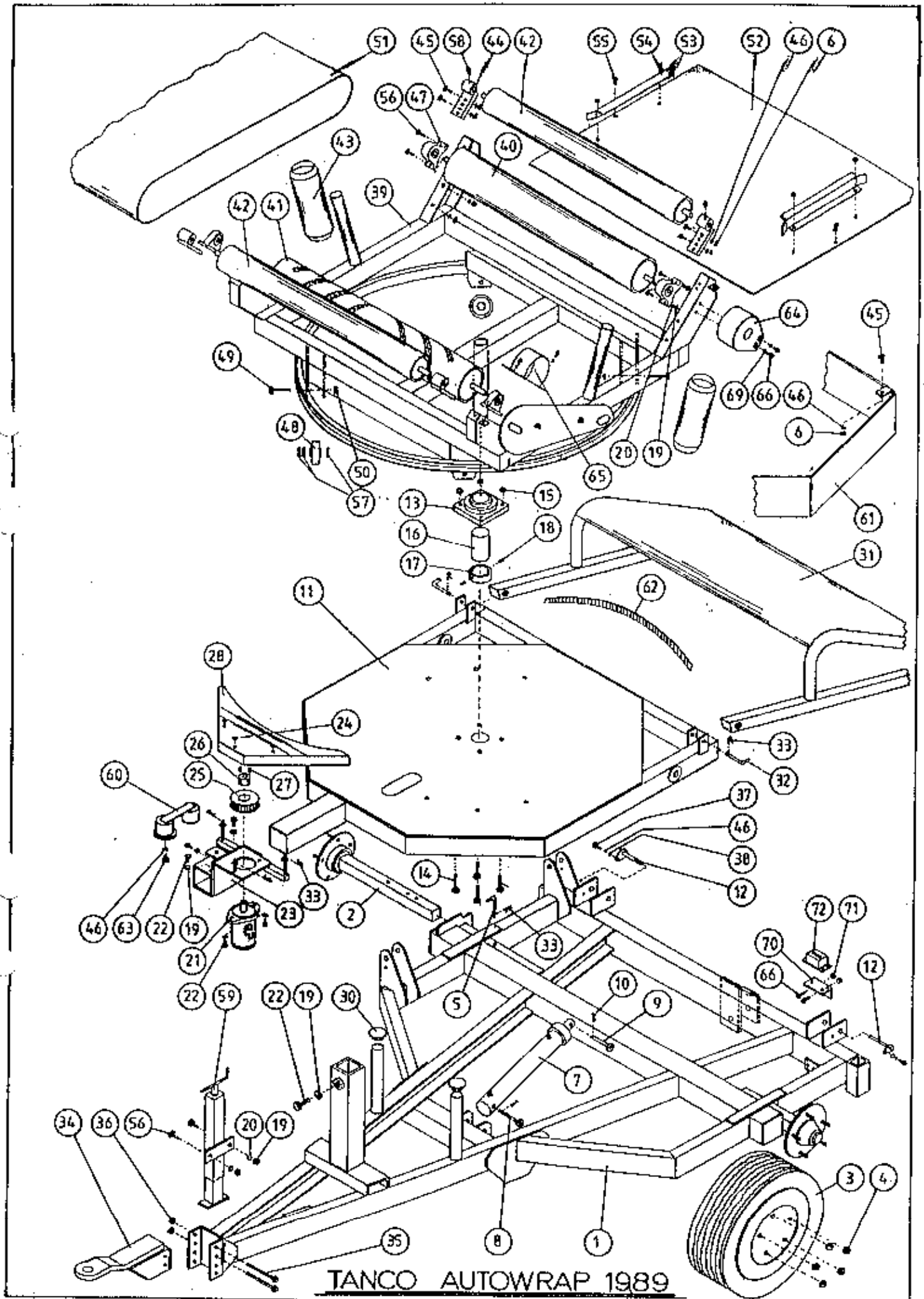
PARTS LIST

<u>ITEM NO.</u>	<u>DESCRIPTION</u>	<u>QTY.</u>	<u>PART NO.</u>	<u>CODE NO.</u>
1.	3 BANK SPOOL VALVE C/W LEVERS 1 A1 SECTION C/W SPOOL RESTRICTOR AND 2 A1 SECTIONS	1		Z03#03#018
2.	HYDRAULIC MOTOR VM 75 M	1		Z01#02#AR75
3.	CROSS LINE RELIEF VALVE	1		Z01#03#001
4.	M8 SOCKET HD. SCREWS	4		
5.	8mm DIA SPRING WASHER	4		Z12#02#06
6.	HYD. RAM (FOR TIPPING FRAME)	1		Z01#01#AR687
7.	1/2" DOWTY WASHER	14		Z01#04#03
8.	1/2" MALE x 3/8" FEMALE ADAPTOR	1		Z01#05#08#06
9.	3/4" x 3/8" ADAPTOR	2		Z01#06#06#12
10.	3/4" DOWTY WASHER	3		Z01#04#05
11.	FLOW DIVIDER	1		Z01#03#1045A
12.	1/2" NON RETURN VALVE	2		Z01#03#017
13.	1/2" x 3/8" ADAPTOR	10		Z01#06#06#08
14.	3/8" MALE/FEMALE 90 ELBOW	1		Z01#14#015
15.	1/2" MALE TEE PIECE	1		Z01#11#003
16.	1/2" x 3/4" ADAPTOR	2		Z01#06#08#12
17.	1/2" x 1/2" FEMALE/FEMALE ADAPTOR	1		Z01#10#08#08
18.	1/2" FEMALE x 3/8" MALE ADAPTOR	1		Z01#05#06#08
19.	1/2" x 1/2" ADAPTOR	1		Z01#06#08#08
20.	1/2" MALE END Q/R COUPLING	2		Z01#15#081
21.	HYD. RAM (FOR LIFT ARM)	1		Z01#01#AW
22.	96" ST/90 3/8" D/W HOSE	2		Z38#R2#96#S9
23.	84" ST/90 3/8" D/W HOSE	1		Z38#R2#84#S9
24.	72" ST/90 3/8" D/W HOSE	2		Z38#R2#72#S9
25.	72" ST/90 1/2" D/W HOSE	1		Z12#R2#72#S9
26.	12" ST/ST 3/8" D/W HOSE	1		Z38#R27#12S8
27.	120" ST/90 3/8" D/W HOSE	2		Z38#R2#120S9



TANCO AUTOWRAP 1989  
 HYDRAULIC COMPONENTS





TANCO AUTOWRAP 1989

TANCO AUTOWRAP 1989

PARTS LIST

<u>ITEM NO.</u>	<u>DESCRIPTION</u>	<u>QTY.</u>	<u>PART NO.</u>	<u>CODE NO.</u>
1.	CHASSIS ASSY	1	B/R 100A	
2.	STUB AXLE (ADJUSTABLE)	1		Z04#033
3.	WHEELS	2		Z04#03
4.	WHEEL NUTS	10		
5.	BISSEL PIN (LONG)	1		Z3#22#AW 180
6.	M10 HEX NUT	12		Z1810
7.	HYD. RAM	1		Z01#01#AR687
8.	RAM BOTTOM PIVOT PIN	1	B/T 330	Z03#02#330
9.	RAM TOP PIVOT PIN	1	J#71#50	Z03#03#50
10.	2" X 1/4" SPLIT PIN	2		Z03#21#29
11.	TIPPING FRAME ASSY.	1	B/R 101 A	
12.	TIPPING FRAME PIVOT PIN C/W GREASE NIPPLE	2	905/968	Z03#01#905
13.	50mm DIA FLANGE BEARING	1		Z06#49
14.	5/8" UNF HEX HD.SET X 2" LONG	4		Z30B#064
15.	5/8" UNF LOCKNUTS	4		Z20#10
16.	SPACER	3	B/R 168 ✓	
17.	LOCKING COLLAR	1		Z06#01AW
18.	M10 x 15mm GRUB SCREWS	2		
19.	M12 HEX NUT	14		Z18#12
20.	12mm DIA SPRING WASHER	12		Z12#02#12
21.	HYD.MOTOR	1		Z01#02#AR75
22.	M12 HEX HD SETS X 30mm LONG	6		Z26S#082
23.	HYD. MOTOR MOUNTING ASSY.	1	B/R 103 A	
24.	RUBBER GROMMETS FOR 12mm ROUND	3		Z49#94
25.	4"DIA X 1/2" PITCH TOOTHED PULLEY	1		Z09#008#AW1
26.	TAPER LOCK BUSH TO SUIT 1" DIA SHAFT	1		Z09#005#AW2
27.	M10 STUDS X 15mm	2		
28.	HYD. MOTOR GUARD ASSY	1	B/R 126 A	
30.	PLASTIC CAP	2		Z32#08
31.	BALE RAMP ASSY.	1	B/R 123 A	
32.	BISSEL PIN (SHORT)	2		Z03#22#AW02
33.	4mm "R" CLIP	5		Z36#02

TANCO AUTOWRAP 1989PARTS LIST

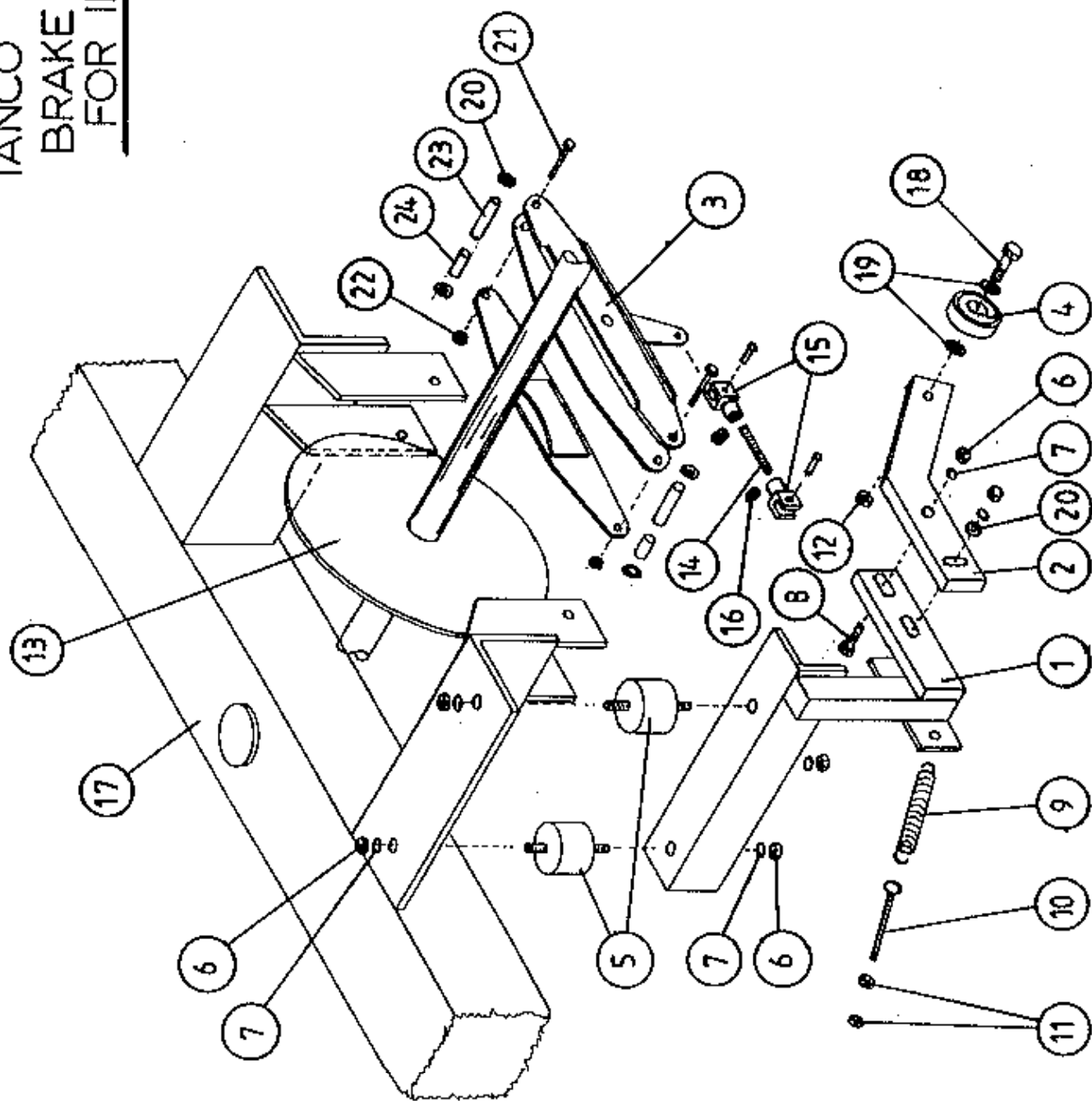
<u>ITEM NO.</u>	<u>DESCRIPTION</u>	<u>QTY.</u>	<u>PART NO.</u>	<u>CODE NO.</u>
34.	HITCH ASSY.	1	B/R 154 A	
35.	M16 HEX HD. BOLT x 150mm LONG	2		Z26#1355B
36.	M16 LOCKNUTS	2		Z23#16
37.	M16 HEX HD. SET x 25mm LONG (TUFLOCK)	2		Z26S#061
38.	10mm DIA MACHINED FLAT WASHER	2		Z11#02#10
39.	TURN TABLE ASSY.	1	B/R 102 A	
40.	BIG ROLLER ASSY IDLER	1	B/R 104 A	
41.	BIG ROLLER ASSY. DRIVER	1	B/R 105 A	
42.	SMALL ROLLER ASSY.	2	B/R 106 A	
43.	SIDE ROLLER ASSY.	2	B/R 107 A	
44.	ROLLER MTG. BRACKET	4	B/R 110 A	
45.	M10 HEX HD. SETS x 40mm LONG	12		Z26S#064
46.	10mm DIA SPRING WASHERS	15		Z12#02#10
47.	1" PILLOW BEARING C/W PROTECTOR CAP	4		Z06#47
48.	SUPPORT WHEELS (4"Ø FOR MAIN TURN TABLE	4		Z06#466
49.	M20 HEX HD. BOLTS x 110mm LONG	4		Z26B#1695
50.	M20 LOCKNUTS	4		Z23#20
51.	1 METER WIDE x 89 1/2" LONG x 1/4" FLAT BELT	1		Z05#02#AW
52.	TURN TABLE COVER PLATE ASSY.	1	B/R 114 A	
53.	FLAT BELT GUIDE ASSY.	2	B/R 115 A	
54.	M6 LOCKNUTS	4		Z23#06
55.	M6 HEX HD. SETS x 20mm LONG	2		Z26S#020
56.	M12 HEX HD. SETS x 40mm LONG	10		Z26S#084
57.	SPACER	12	B/R 137	
58.	1/8" B.S.P. ST GREASE NIPPLE	4		Z39#60
59.	SCREW JACK ASSEMBLY	1	B/R 136 A	
60.	ROSTA TENSIONING UNIT RSE 18	1		Z06#455
61.	MAIN GUARD ASSY.	1	B/R 112 A	
62.	170" 1/2 PITCH x 1" WIDE TOOTHED BELT	1		Z05#02#AW2
63.	M10 HEX HD. SET x 30mm LONG	1		Z26S#062

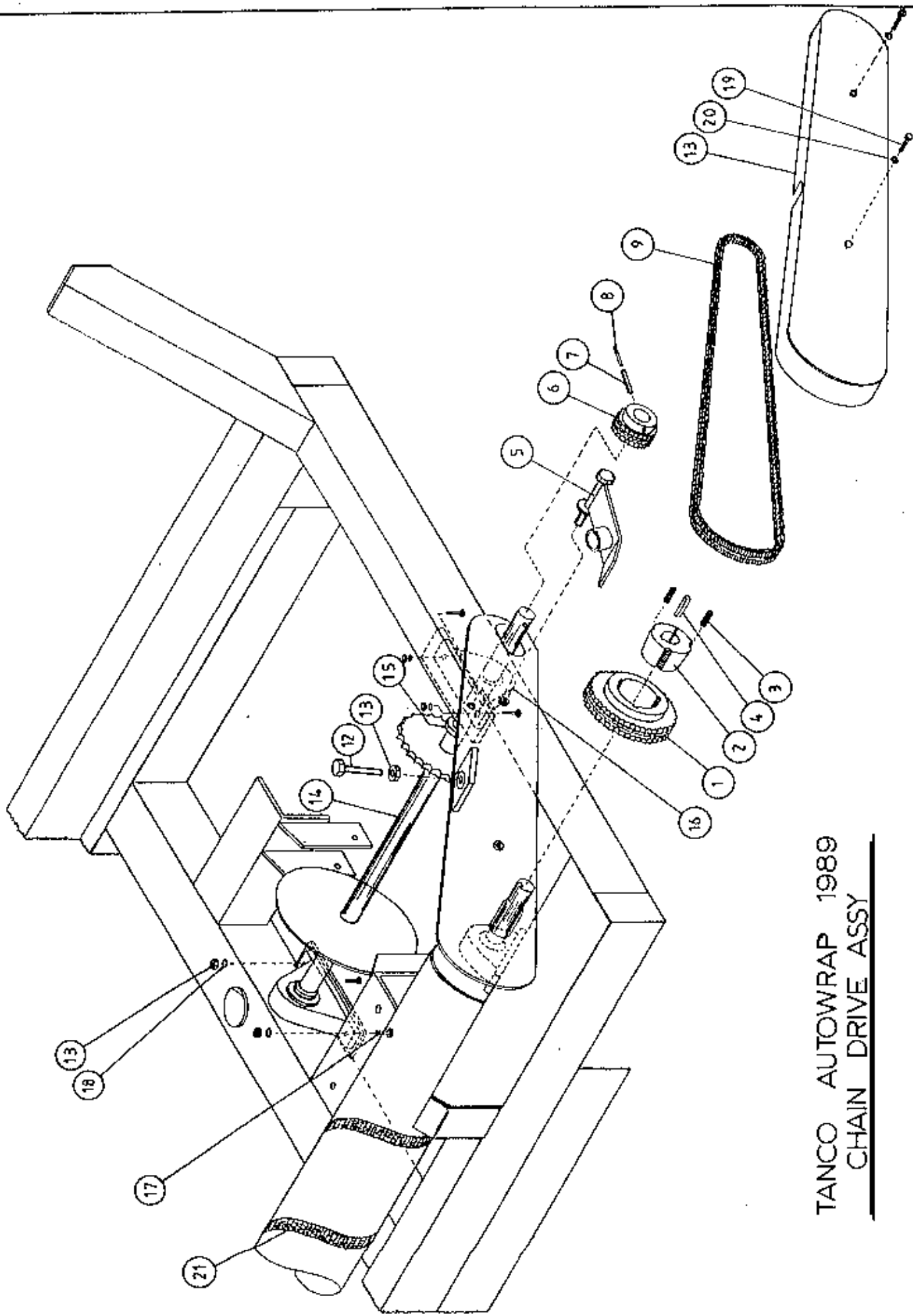
TANCO AUTOWRAP 1989

PARTS LIST

<u>ITEM NO.</u>	<u>DESCRIPTION</u>	<u>QTY.</u>	<u>PART NO.</u>	<u>CODE NO.</u>
64.	GRASS GUARD (CLOSED TYPE)	3	B/R 182 A	Z49-98
65.	GRASS GUARD (OPEN TYPE)	1	B/R 183 A	Z49-981
66.	M6 HEX HD SETS x 20mm LONG	10		Z26-039S
67.	M6 HEX NUTS	8		Z18-06
68.	6mm DIA FLAT WASHERS	8		Z11-02-06
69.	6mm DIA SPRING WASHERS	8		Z12-02-06
70.	COUNTER MOUNTING BRACKETS	1	B/R 174	
71.	M6 LOCKNUTS	2		Z23-06
72.	COUNTER (NON RESETTABLE TYPE)	1		Z49-91

TANCO AUTOWRAP 1989  
BRAKE ARRANGEMENT  
FOR INDEXING SHAFT





TANCO AUTOWRAP 1989  
 CHAIN DRIVE ASSY





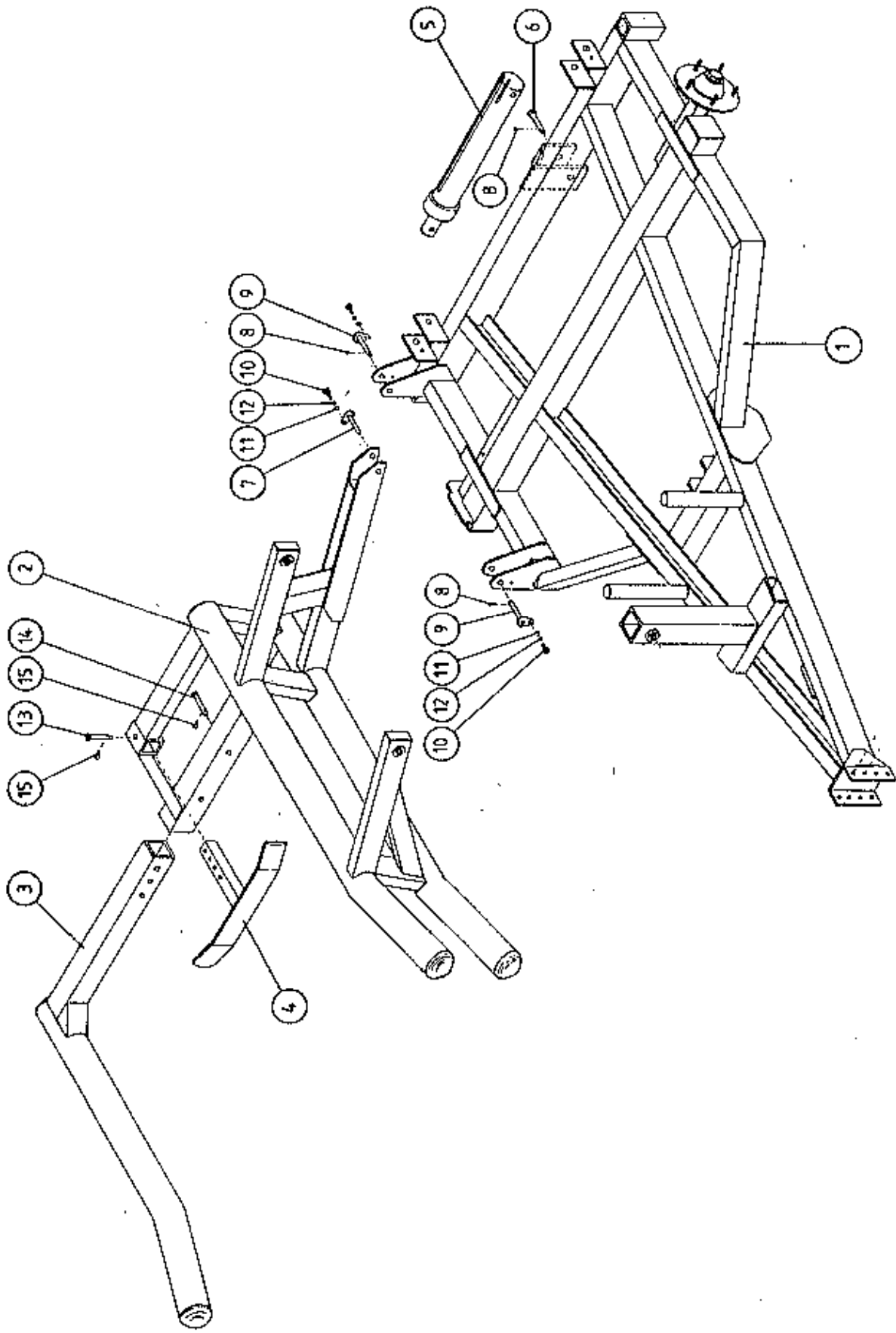
TANCO AUTOWRAP 1989

BRAKE ARRANGEMENT FOR INDEXING SHAFT

PARTS LIST

<u>ITEM NO.</u>	<u>DESCRIPTION</u>	<u>QTY.</u>	<u>PART NO.</u>	<u>CODE NO.</u>
1.	MOUNTING BRACKET ASSY (UPPER)	1	B/R 169 A	
2.	CAM FOLLOWER MTG BRK (LOWER)	1	B/R 170	
3.	CALIPER DISC BRAKE UNIT	1		Z49*92
4.	BALL BEARING (6361)	1		Z06*43
5.	RUBBER BUFFER 50mm DIA x 30 LONG TYPE A 57 SHORE	2		Z40*21
6.	M10 HEX NUTS	6		Z18*10
7.	10mm DIA SPRING WASHERS	6		Z12*02*10
8.	M10 HEX HD SET x 40 LONG	2		Z26*0648
9.	TENSION SPRING	1	J*24	Z07*05
10.	EYE BOLT (M8)	1	B/R 172 A	
11.	M8 HEX NUTS	2		Z18*08
12.	M12 LOCKNUT	1		Z23*12
13.	SPROCKET/SHAFT ASSY	1	B/R 166 A	
14.	5/16" UNF THREADED BAR x 80mm LONG	1		
15.	5/16" UNF CLEVIS C/W PIN & CLIP	2		
16.	5/16" UNF HEX NUT	2		Z15*05
17.	TURN TABLE	1	B/R 102 A	
18.	M12 HEX HD. SETS x 40mm LONG	1		Z26*0845
19.	13mm DIA FLAT WASHER	2		Z11*02*12
20.	10mm DIA FLAT WASHER	5		Z11*02*10
21.	3/8" UNF HEX HD. BOLT x 3" LONG	2		Z31B*102
22.	3/8" UNF HEX NUT	2		Z15*06
23.	SPACER 1/2" O.D. x 13/32" I.D. x 1 1/2" LONG	2		
24.	SPACER 1/2" O.D. x 13/32" I.D. x 1/2" LONG	2		

TANCO AUTOWRAP LIFT ARM & CHASSIS



TANCO AUTOWRAP 1989

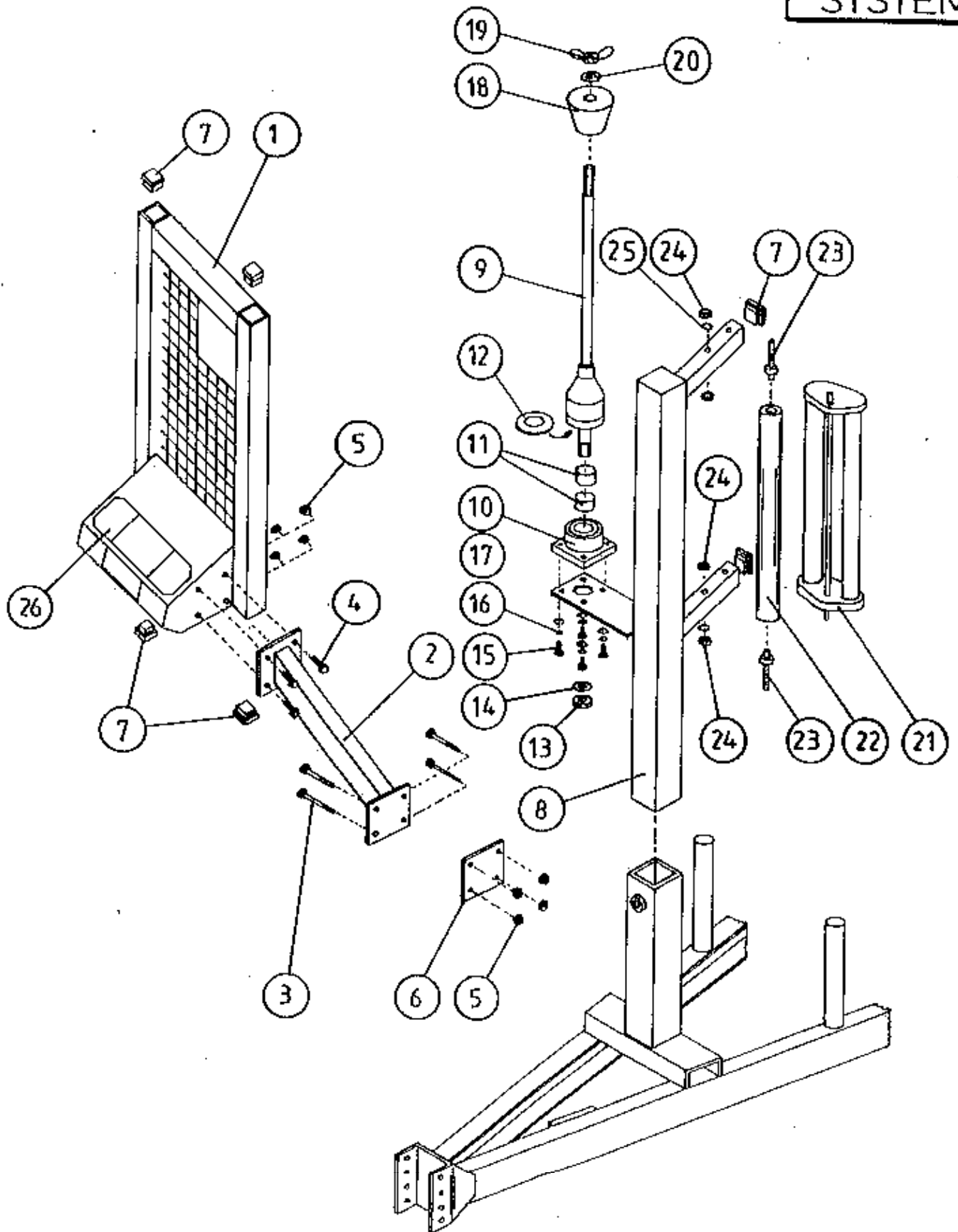
PARTS LIST

LIFT ARM AND CHASSIS

<u>ITEM NO.</u>	<u>DESCRIPTION</u>	<u>QTY.</u>	<u>PART NO.</u>	<u>CODE NO.</u>
1.	CHASSIS ASSEMBLY	1	B/R 100 A	
2.	LIFT ARM ASSEMBLY	1	B/R 140 A	
3.	ADJUSTABLE OUTER ARM ASSY.	1	B/R 152 A	
4.	ADJUSTABLE BALE STOP	1	B/R 153 A	
5.	HYDRAULIC RAM (LIFT ARM)	1	27	Z01-01-AW
6.	RAM BOTTOM PIVOT PIN	2	B/T 330 A	Z03-02-330
7.	RAM TOP PIVOT PIN	1	797/968	Z03-01-797
8.	2" x 1/4" SPLIT PINS	3		Z03-21-29
9.	LIFT ARM PIVOT C/W GREASE NIPPLE	2	905/968	Z03-01-905
10.	M12 HEX HD SET X 25mm LONG (TUFLOCK)	3		Z26S-061
11.	10mm DIA MACHINED FLAT WASHER	3		Z11-02-10
12.	10mm DIA SPRING WASHER	3		Z12-02-10
13.	SPAREX PIN	1	S73	Z03-04-73
14.	SPAREX PIN	1	S77	Z03-04-77
15.	7/16" DIA LINCH PINS	2		Z03-22-06

238-83

# TANCO AUTOWRAP 1989 CONTROL CONSOLE & FILM DISPENSING SYSTEM



AUTOWRAP 1989

## CONTROL CONSOLE &amp; FILM DISPENSING SYSTEM

PARTS LIST

<u>ITEM NO.</u>	<u>DESCRIPTION</u>	<u>QTY.</u>	<u>PART NO.</u>	<u>CODE NO.</u>
1.	CONTROL PANEL/GUARD ASSY.	1	B/R 155 A	
2.	CONTROL PANEL GUARD MOUNTING ARM	1	B/R 156 A	
3.	M10 HEX HD BOLT x 130mm LONG	4		Z26#072SB
4.	M10 HEX HD SET x 30mm LONG	4		Z26#062S
5.	M10 LOCKNUTS	8		Z23#10
6.	CLAMPING PLATE	1	B/R 163 A	
7.	PLASTIC CAPS (TO SUIT 40 x 40 x 3 RHS)	6		Z32#07
8.	DISPENSER MOUNTING MAST	1	B/R 109 A	
9.	FILM SPOOL ASSEMBLY	1	B/R 177 A	
10.	BEARING HOUSING ASSEMBLY	1	B/R 178 A	
11.	GLACIER DX BUSH 16 DX x 16	2		Z03#20#20
12.	FRICITION DISC	1		
13.	3/4" UNC LOCKNUT	1		Z23#20.1
14.	3/4" DIA BELLVILLE WASHER	1		
15.	M10 HEX HD. SET x 25mm LONG (TUFLOCK)	4		Z26#0615
16.	10mm DIA SPRING WASHER	4		Z12#02#10
17.	10mm DIA FLAT WASHER	4		Z11#02#10
18.	FILM RETAINING BLOCK	1	B/R 149	Z49#90
19.	WING NUT ASSY 1" UNC	1		
20.	1" DIA FLAT WASHER	1		Z11#02#25
21.	FILM DISPENSER UNIT	1		D611
22.	SLAVE ROLLER ASSY (PLASTIC COATED)	1	B/R 134 A	
23.	SLAVE ROLLER PIVOT	2	B/R 135	
24.	M12 HEX NUTS	4		Z18#12
25.	12mm DIA SPRING WASHER	2		Z12#02#12
26.	SAFETY/INSTRUCTION STICKER	1	TA057	